

DATA SHEET

**SV 200/1**

# **SIDE CHANNEL BLOWERS**

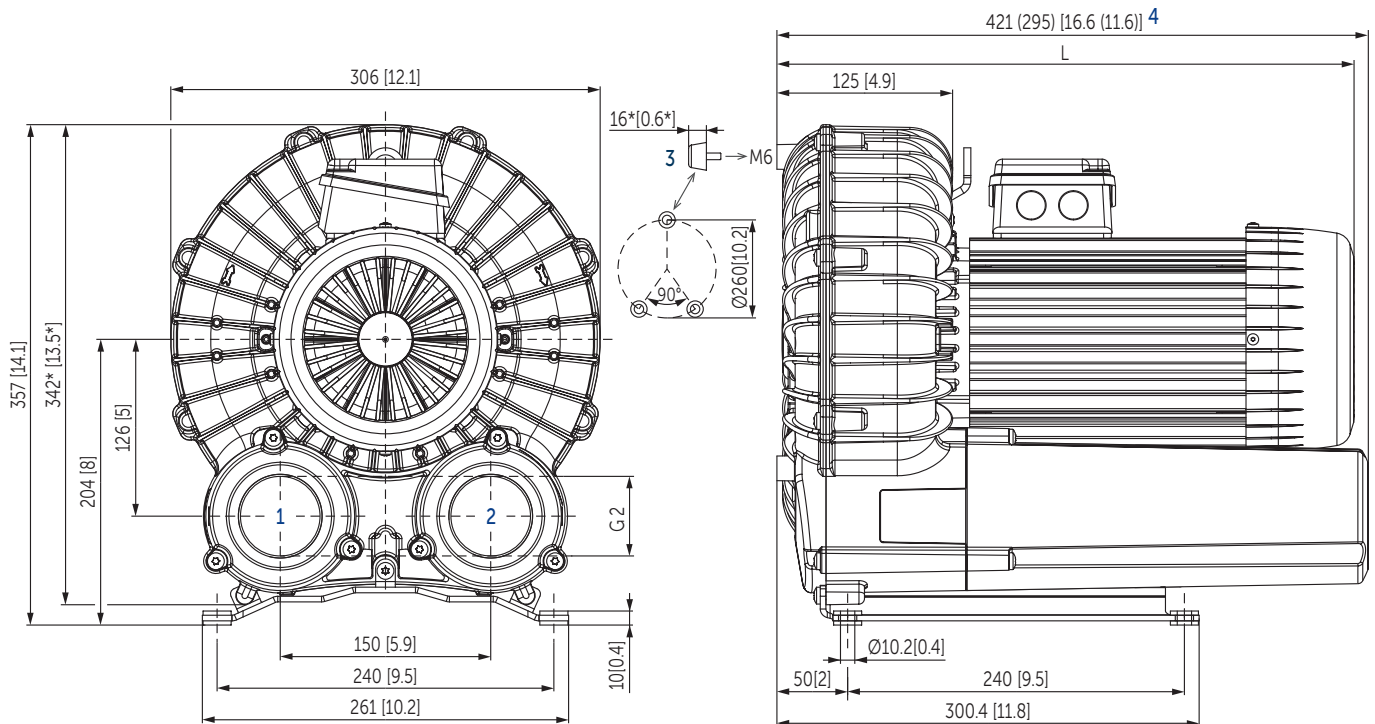
single stage

air-cooled

---

**MAKE IT BECKER.**





- 1 Vacuum connection (G2)
- 2 Pressure connection (G2)
- 3 Optional vibration dampers (rubber buffer) for vertical installation
- 4 Optional with shorter silencers
- \* Device dimensions without pedestal under the silencer, with rubber buffers on the enclosure cover
- The motor illustration may vary
- Dimensions in mm [inch]

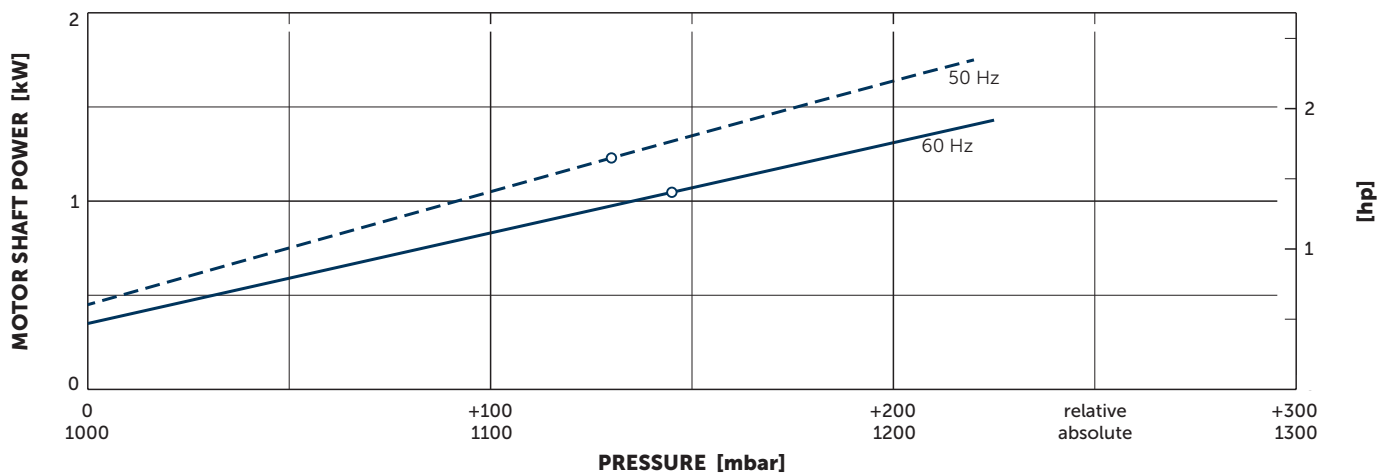
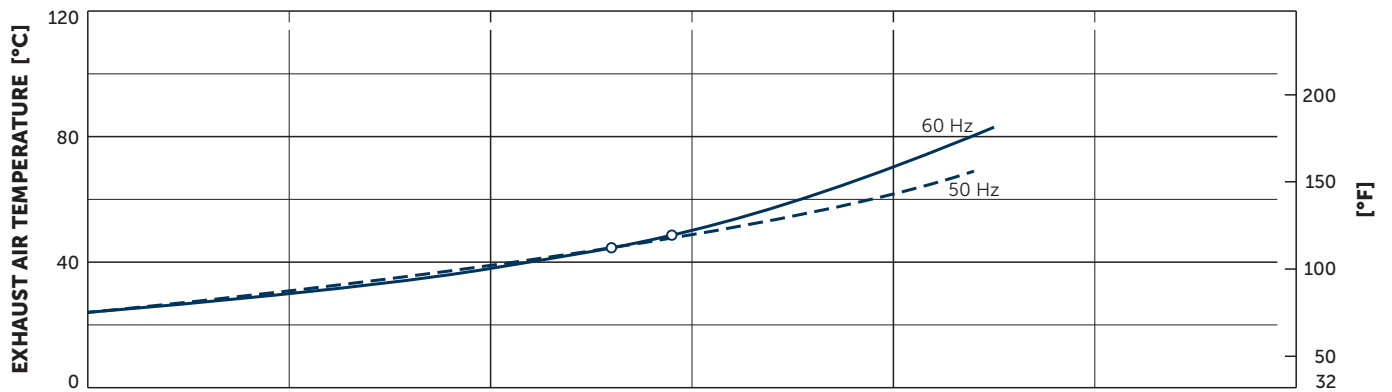
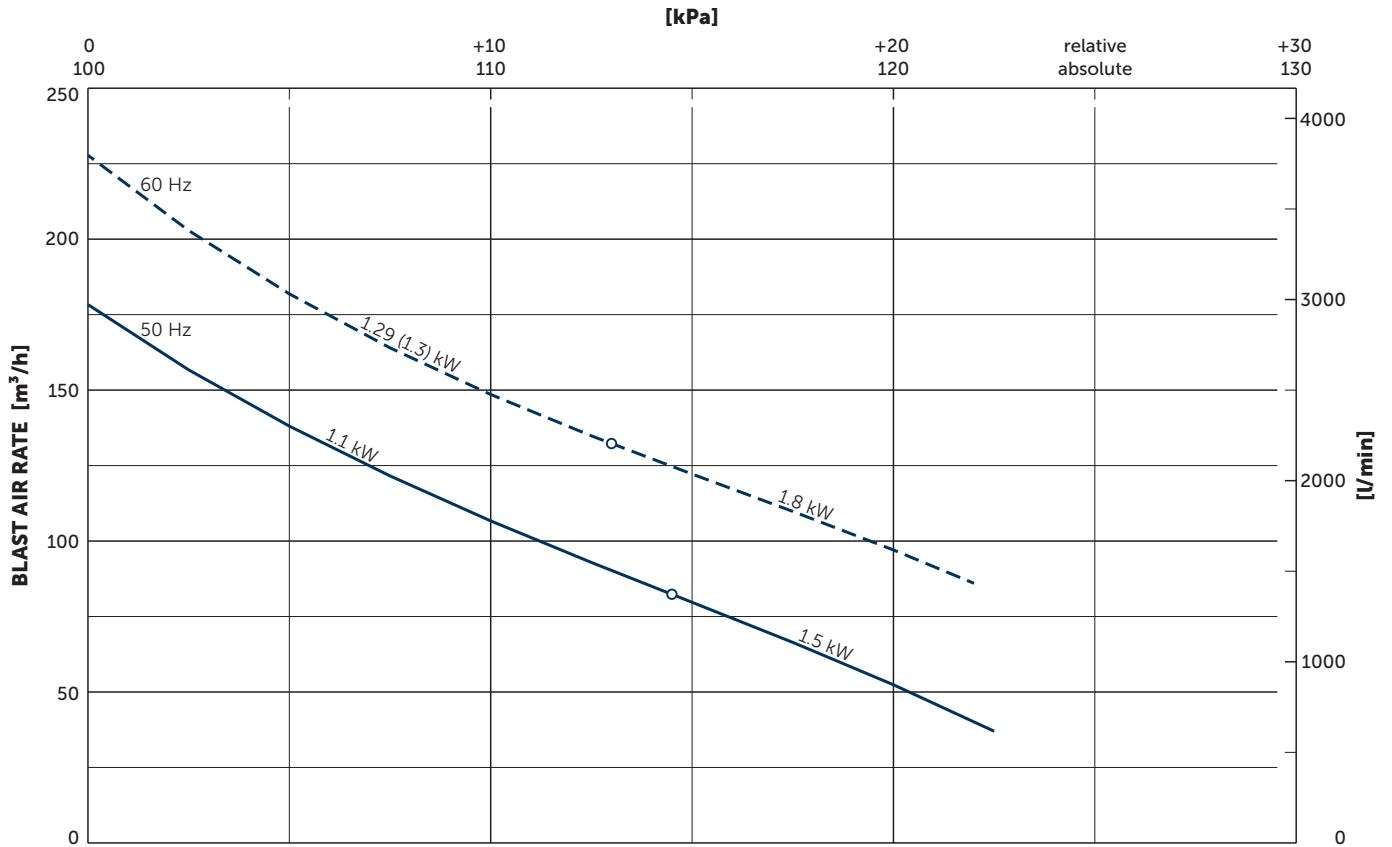
Blast air rate		Pressure relative		Motors		Emission sound pressure level <sup>1)</sup>		Weight with motor
m <sup>3</sup> /h		mbar		kW		dB(A)		kg
50 Hz	60 Hz	50 Hz	60 Hz	50 Hz	60 Hz	50 Hz	60 Hz	
180	230	+145	+130	1.1	1.29/1.3	64.6 (+175 mbar)	68.2 (+155 mbar)	25.5
180	230	+225	+220	1.5	1.8	64.6 (+175 mbar)	68.2 (+155 mbar)	28.5

<sup>1)</sup> According to DIN EN ISO 11203, accuracy class of measurement: class 2, extended measurement uncertainty: 3 dB  
1 m [39.4 inch] distance, at medium load, both connection sides piped

3~ Motors												L
#	50 Hz				60 Hz				Version	mm [inch]		
	kW	V	rpm	A	kW	V	rpm	A				
01	1.1	Δ230/Y400	IE3	2870	4.3/2.5	1.29	Δ265/Y460 Δ230/Y400	IE3	3460 3395	4.3/2.5 4.7/2.7	UL • CSA IP55 • ISO F • bimetal	391 [15.4]
02						1.3	YY230/Y460 YY208/Y –	IE3 –	3465 3430	4.8/2.4 5.05/ –	UL(E235514) • CSA • CC329B IP55 • ISO F • bimetal	427 [16.8]
03	1.1	Δ200/Y350	IE3	2875	5.0/2.9	1.29	Δ220/Y380–400 Δ200/Y350	IE3	3462 3405	5.0/2.9–3.0 5.2/3.0	IP55 • ISO F • bimetal	391 [15.4]
04	1.5	Δ230/Y400	IE3	2900	6.6/3.8	1.8	Δ265/Y460 Δ230/Y400	IE3	3490 3450	6.4/3.7 6.5/3.8	UL • CSA IP55 • ISO F • bimetal	431 [17.0]
05						1.8	YY230/Y460 YY208/Y –	IE3	3490 3470	6.9/3.45 6.85/ –	UL(E235514) • CSA • CC329B IP55 • ISO F • bimetal	427 [16.8]
06	1.5	Δ200/Y350	IE3	2905	7.4/4.3	1.8	Δ220/Y380–400 Δ200/Y350	IE3	3480 3450	7.2/4.3–4.2 7.2/4.2	IP55 • ISO F • bimetal	431 [17.0]

1~ Motors												L
#	50 Hz				60 Hz				Version	mm [inch]		
	kW	V	rpm	A	kW	V	rpm	A				
01	1.1	230 ±10%		2855	6.7	1.3	230 ±10%		3375	7.9	UL • CSA IP55 • ISO F • bimetal	391 [15.4]
02	1.5	230 ±10%		2860	8.9	1.8	230 ±10%		3350	11.0	UL • CSA IP55 • ISO F • bimetal	431 [17.0]

• Current consumption and rotation speed may vary. Tolerance in each case -1.5/+2%



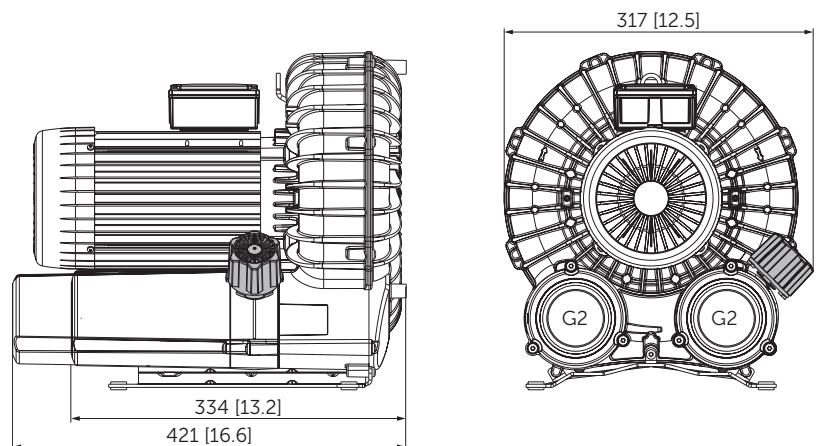
Reference data (atmosphere): 1000 mbar (100 kPa), 20°C (68°F)

Tolerance:  $\pm 10\%$

Temperature: Inlet air 0°C ... 40°C (32°F ... 104°F), Ambient air 3~ -10°C ... 40°C (14°F ... 104°F), Ambient air 1~ 15°C ... 40°C (59°F ... 104°F)

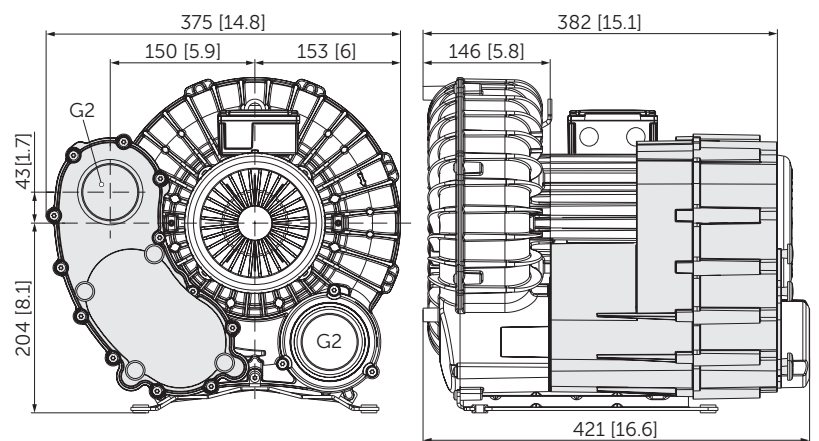
## + VARIANTS AND ACCESSORIES

### PRESSURE SAFETY VALVE

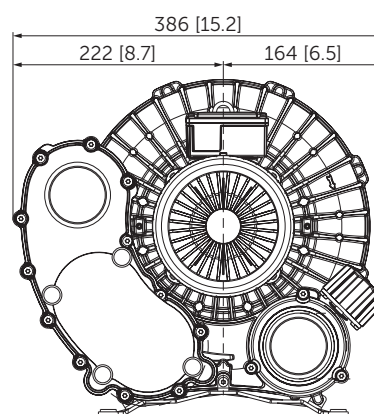


### SUCTION FILTER

- Paper or polyester insert



### SUCTION FILTER AND PRESSURE SAFETY VALVE



### OTHER VARIANTS AND ACCESSORIES

- Without pedestal under the silencers, with rubber buffers on the enclosure cover
- Vacuum/pressure connection G1½ instead G2
- Short or long silencers
- Increased corrosion protection
- External suction filter
- Sound proof box SH 18<sup>1)</sup>



Sound proof box SH 18

<sup>1)</sup> See separate data sheet

- Dimensions in mm [inch] – For other dimensions, see the figure on page 2.
- Possible combinations on request



**MAKE IT BECKER.**